



LEDTECH ELECTRONICS CORP.

(Zone 22) North Guiyuan Rd., West Jixi Rd., Duanzhou  
District, Zhaoqing City, Guangdong Province, China  
TEL:86-758-2877017,2875541,2870651,2877464  
FAX:86-758-2878014  
[Http://www.ledtech.com.tw](http://www.ledtech.com.tw)

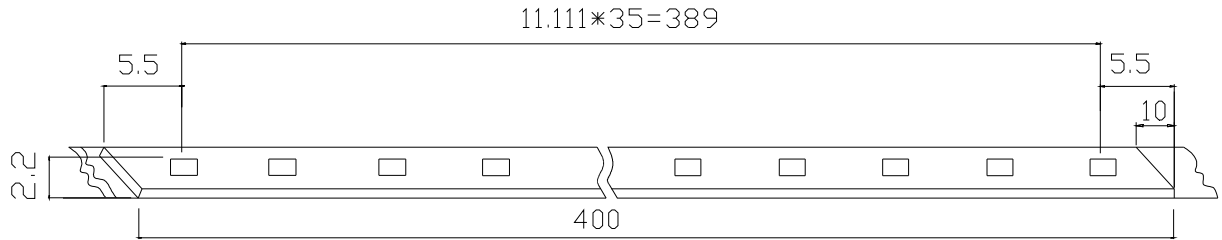
# SPECIFICATION

*PART NO. : LFD012R2-002*  
**LED LINE FIEX SMD**



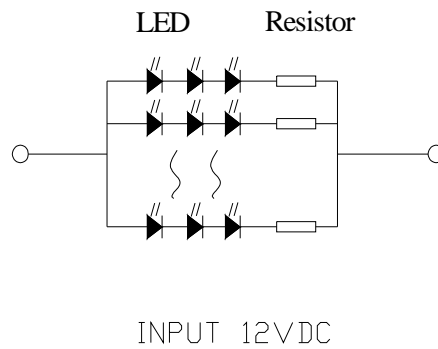
Approved by	Checked by	Prepared by
<i>Yang</i>	<i>Mark</i>	<i>ZF</i>

### Assembly drawing



1. All dimensions are in millimeters
2. Tolerance is  $\pm 0.5$  mm unless otherwise noted
3. One strip comprised by 36 pcs LED

### Circuits



### Description

Part No.	LED Chip		Lens Color
	Material	Emitting color	
LFD012R2-002	AlGaInP/GaAs	Red	Water clear

**Absolute Maximum Ratings at Ta=25 °C**

Parameter	Symbol	Rating	Unit
Power Dissipation	Pd	4320	mW
D.C. Forward Current	If	360	mA
Operating Temperature Range	Topr.	-25 to +40	°C
Storage Temperature Range	Tstg.	-40 to +60	°C

**Electrical and Optical Characteristics:**

Parameter	Symbol	Condition	Min.	Typ.	Max.	Unit
Luminous Intensity	Iv	Vf=12 V	4.32	7.2		cd
Forward Current	If	Vf=12 V	180		240	mA
Dominant Wavelength	$\lambda_D$	Vf=12 V		630		nm
Spectrum Line Halfwidth Per LED	$\Delta\lambda$	Vf=12 V		26		nm

**ENCASED TYPE**

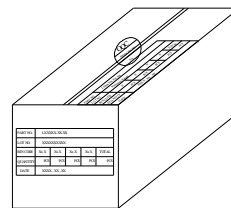
PLASTIC PACKAGE  
 QUANTITY: 1 PCS

LEDTECH ELECTRONICS CORP.	
PART NO :LTXXXX-XX	
QTY	: PCS
LOT NO	:XXXXXXXXXX
DATE	:
BIN CODE: IV:	X Coordinates: X



INNER BOX  
 QUANTITY: 100 PACKETS  
 TOTAL: 100 PCS

PART NO.	LXXXXX-XX-XX				
LOT NO.	XXXXXXXXXX				
BIN CODE	Xx X	Xx X	Xx X	Xx X	TOTAL
QUANTITY	PCS	PCS	PCS	PCS	PCS
DATE	XXXX, XX, XX				



OUTER CARTON  
 QUANTITY: 4 BOX  
 TOTAL: 400 PCS

CT NO. 箱 號	XX
PART NO. 料 號	LXXXXX-XX-XX
QUANTITY 數 量	PCS
N.W. 淨 重	KGS
G.W. 毛 重	KGS
REMARK 備 註	

